

Containment Big Bag Filling

JEL SmartCon BS



► JEL SmartCon BS

With the JEL SmartCon BS attachment system, big bags with foil liners can be easily and safely filled under containment conditions up to OEB 4. Thanks to the high degree of automation, the system is very easy to operate and operating errors and the resulting breaks in containment can be reliably prevented.

► Operation

The liner of the big bag to be filled is pre-attached to the docking system. The liner of the previously filled big bag can be comfortably and safely removed with the engagement connection with an endless liner system. The liner of the big bag to be filled is then automatically connected to the docking system with the pressure plate and pneumatic seals and the filling starts. After the filling has finished, the connected liner is tied up with special cable ties and separated from the docking system. The operating personnel are supported by a control system that specifies all the work steps.

► Areas of application

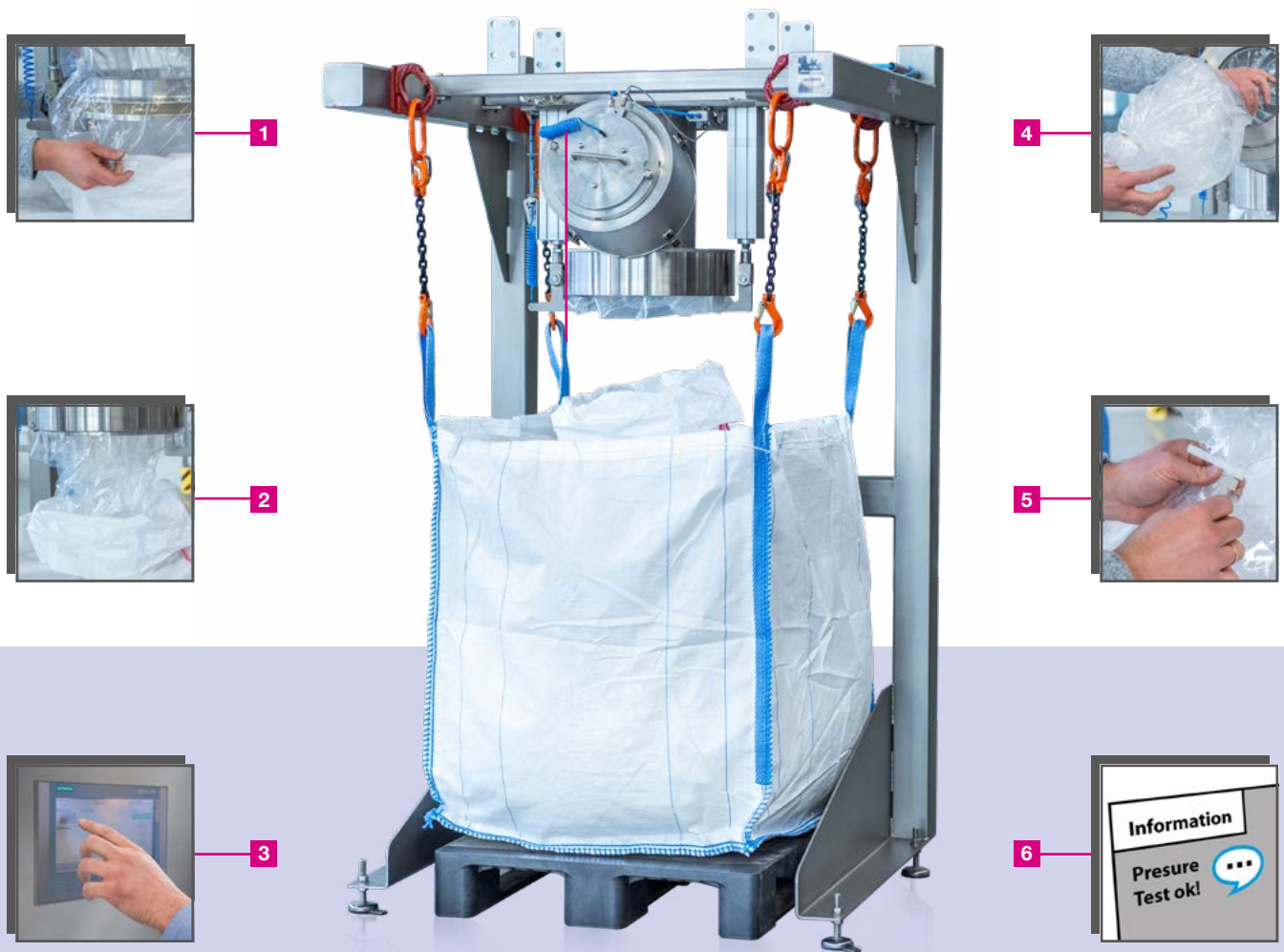
| Chemicals | Plastics | Pharmaceuticals | Foodstuffs | Similar industries |
|-----------|----------|-----------------|------------|--------------------|
| ● | ● | ● | ● | ● |

► OEB-level

| 1 | 2 | 3 | 4 | 5 | 6 |
|---|---|---|---|---|---|
| ● | ● | ● | ● | ○ | ○ |

► Big bag applications

| Big bag filling | Big bag emptying |
|-----------------|------------------|
| ● | ○ |



- 1** Easy to operate
- 2** Continuously dust-tight filling process
- 3** Intuitive control concept
- 4** The tied liner is easy to remove
- 5** Simple to tie up
- 6** Optional leakproofness test

BIG BAG FILLING | JEL SmartCon BS

Containment Big Bag Filling

JEL SmartCon BS

► Design

- The inlet can be tied up using special cable ties and pincers
- Generously-sized engagement connection with endless liner system
- Materials: Stainless steel 1.4301 (standard), silicone seals (other materials available upon request)
- A variety of surface treatments are available (standard: glass bead blasted)
- Suitable for inlet diameters 400 - 500 mm (other diameters available upon request)
- Inlet length: min. 700 mm
- Optional: Pressure test before the filling to detect any damage to the liner
- Available in ATEX designs for gas and dust

► Technical details

Maximum substance concentration during the filling: < 10 µg/m³ (corresponds to OEB level 4).

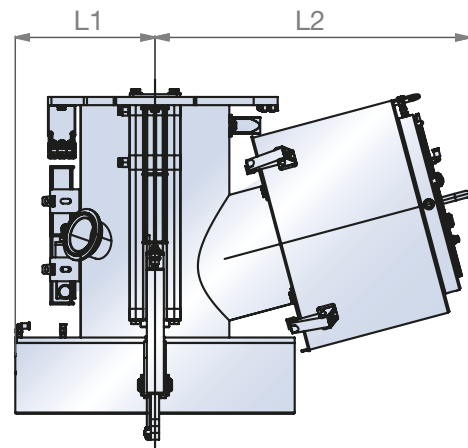
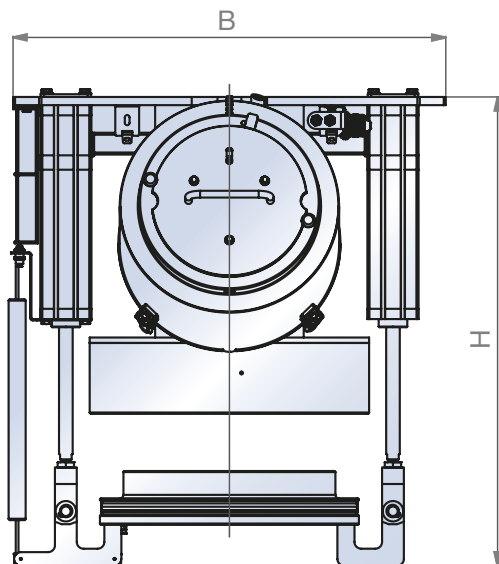
MACHINE

| Compressed air | Voltage | Frequency | Protection class |
|----------------|---------|-----------|------------------|
| 6 bar* | 230 V | 50 Hz | IP54 |

*3 bar upon request

DIMENSIONS (MM)

| Model | B | H | L1 | L2 |
|-----------------|-----|-----|-----|-----|
| JEL SmartCon BS | 635 | 690 | 205 | 460 |



- ▲ Pressure plate closed
- ◀ Pressure plate open

► Your contact person

Do you still have questions or would you like a non-binding price quotation? Then simply contact our team of experts.



Waldemar Gischa

Big bag systems
Phone +49(0)621 59002-17
Fax +49(0)621 59002-550
gischa@engelsmann.de

J. Engelsmann AG

Frankenthaler Str. 137-141
D-67059 Ludwigshafen
info@engelsmann.de
www.engelsmann.com



JEL SmartCon BS

Convincing facts

- ✓ Protection of operating personnel (exposure) and products (cross-contamination)
- ✓ Simple operation and quick container change
- ✓ Little human intervention needed thanks to the high degree of automation
- ✓ No operating errors thanks to the intuitive control concept
- ✓ Optional leakproofness test detects any damage to the foil liner before the filling
- ✓ Continuously dust-tight process